

## 2. Specifications

### 2.1 Specification Sheet

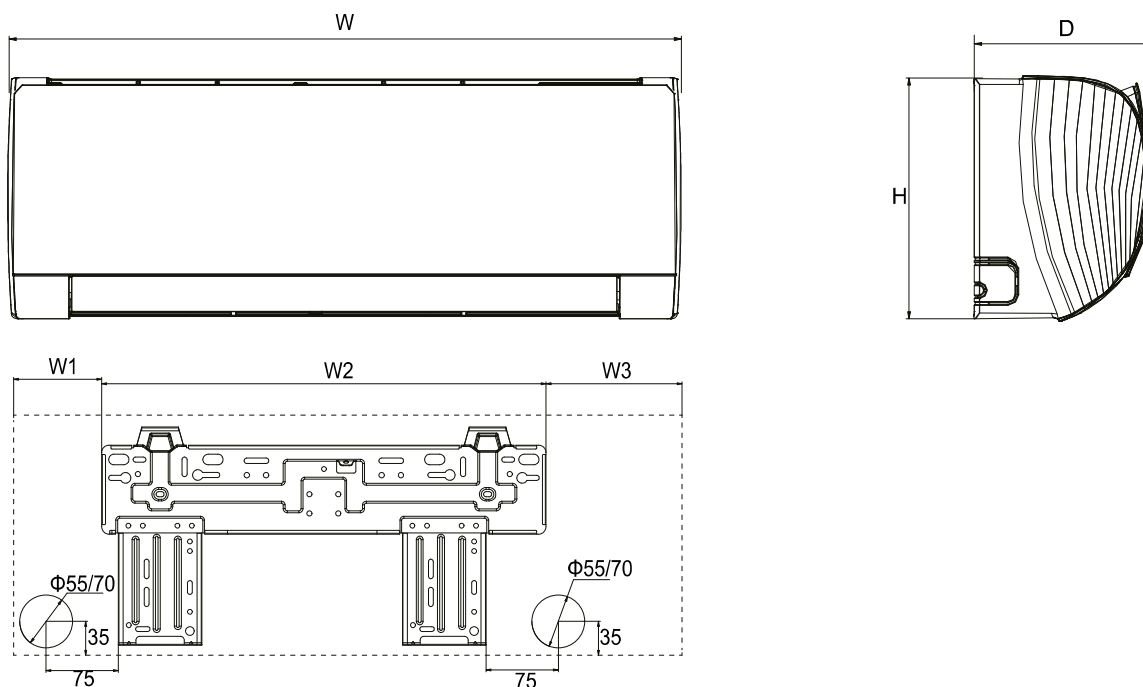
Model			GWH09ACC-S6DBA1A	GWH12ACC-S6DBA1A
Product Code			CB497009200	CB497010000/CB497010001
Power Supply	Rated Voltage	V~	220-240	220-240
	Rated Frequency	Hz	50/60	50/60
	Phases		1	1
Power Supply Mode			Outdoor	Outdoor
Cooling Capacity		W	2700	3530
Heating Capacity		W	3500	4200
Cooling Power Input		W	580	840
Heating Power Input		W	800	1000
Cooling Power Current		A	3.66	5.6
Heating Power Current		A	4.90	6.6
Rated Input		W	2400	2500
Rated Current		A	10.65	1138
Air Flow Volume(SH/H/MH/M/ML/L/SL)		m <sup>3</sup> /h	680/550/500/460/430/400/320	680/620/560/490/450/420/390
Dehumidifying Volume		L/h	0.8	0.8
EER		W/W	4.66	4.20
COP		W/W	4.38	4.20
SEER			7.8	7.60
HSPF			/	/
SCOP(Average/Warmer/Colder)			4.7/5.8/3.8	4.6/5.5/3.7
Application Area		m <sup>2</sup>	12-18	12-18
Indoor Unit	Model of indoor unit		GWH09ACC-S6DBA1A/I	GWH12ACC-S6DBA1A/I
	Indoor Unit Product Code		CB497N09200	CB497N10000/CB497N10001
	Fan Type		Cross-flow	Cross-flow
	Diameter Length(DXL)		mm	Φ98X633.5
	Fan Motor Cooling Speed		r/min	1300/1200/1120/1050/980/920/750/500
	Fan Motor Heating Speed		r/min	1300/1200/1140/1080/1020/960/850/-
	Output of Fan Motor		W	20
	Fan Motor RLA		A	0.09
	Fan Motor Capacitor		μF	/
	Input of Heater		W	/
	Evaporator Form			Aluminum Fin-copper Tube
	Pipe Diameter		mm	Φ5
	Row-fin Gap		mm	2-1.4
	Coil Length (LXDXW)		mm	635X22.8X306.3
	Swing Motor Model			MP24EB MP24HF
	Output of Swing Motor		W	1.5 1.5
	Fuse		A	3.15
	Sound Pressure Level		dB (A)	Cooling:41/39/36/34/32/31/25/21 Heating:41/39/37/35/33/32/30/-
	Sound Power Level		dB (A)	Cooling:56/50/48/44/42/41/35/31 Heating:56/50/48/46/44/42/40/-
	Dimension (WXHXD)		mm	899X294X212
Dimension of Carton Box (LXWXH)		mm	935X349X273	
Dimension of Package (LXWXH)		mm	940X365X284	
Net Weight		kg	11	
Gross Weight		kg	13	

Outdoor Unit	Model of Outdoor Unit		GWH09ACC-S6DBA1A/O	GWH12ACC-S6DBA1A/O
	Outdoor Unit Product Code		CB497W09200	CB497W10000
	Compressor Manufacturer/Trademark		ZHUHAI LANDA COMPRESSOR CO., LTD	ZHUHAI LANDA COMPRESSOR CO., LTD
	Compressor Model		QXFT-B123zE170B	QXFT-B123zE170
	Compressor Oil		FW68DA	FW68DA
	Compressor Type		Rotary	Rotary
	L.R.A.	A	20	20
	Compressor RLA	A	7.9	7.9
	Compressor Power Input	W	1230	1230
	Overload Protector		/	/
	Throttling Method		Electron expansion valve	Electron expansion valve
	Operation Temp	°C	16~30	16~30
	Ambient Temp (Cooling)	°C	-18~52	-18~52
	Ambient Temp (Heating)	°C	-30~24	-30~24
	Condenser Form		Aluminum Fin-copper Tube	Aluminum Fin-copper Tube
	Pipe Diameter	mm	Φ7	Φ7.94
	Rows-fin Gap	mm	2-1.4	2.5-1.4
	Coil Length (LXDXW)	mm	783X38.1X550	783X57X550
	Fan Motor Speed	rpm	850	850
	Output of Fan Motor	W	30	30
	Fan Motor RLA	A	0.24	0.24
	Fan Motor Capacitor	μF	/	/
	Air Flow Volume of Outdoor Unit	m <sup>3</sup> /h	2400	2400
	Fan Type		Axial-flow	Axial-flow
	Fan Diameter	mm	Φ438	Φ438
	Defrosting Method		Automatic Defrosting	Automatic Defrosting
	Climate Type		T1	T1
	Isolation		I	I
	Moisture Protection		IPX4	IPX4
	Permissible Excessive Operating Pressure for the Discharge Side	MPa	4.3	4.3
	Permissible Excessive Operating Pressure for the Suction Side	MPa	2.5	2.5
	Sound Pressure Level (H/M/L)	dB (A)	53/-/-	54/-/-
Sound Power Level (H/M/L)	dB (A)	61/-/-	62/-/-	
Dimension (WXHXD)	mm	899X596X378	899X596X378	
Dimension of Carton Box (LXWXH)	mm	945X417X630	945X417X630	
Dimension of Package (LXWXH)	mm	948X420X645	948X420X645	
Net Weight	kg	42	44.5	
Gross Weight	kg	45	47.5	
Refrigerant		R32	R32	
Refrigerant Charge	kg	0.87	0.95	
Connection Pipe	Length	m	5	5
	Gas Additional Charge	g/m	16	16
	Outer Diameter Liquid Pipe		1/4	1/4
	Outer Diameter Gas Pipe		3/8	3/8
	Max Distance Height	m	10	10
	Max Distance Length	m	15	15
	Note: The connection pipe applies metric diameter.			

The above data is subject to change without notice; please refer to the nameplate of the unit.

### 3. Outline Dimension Diagram

#### 3.1 Indoor Unit



Unit:mm

Models	W	H	D	W1	W2	W3
ACC	889	294	212	201.5	541.5	146
ACE	1122	329	247	207	685	230

