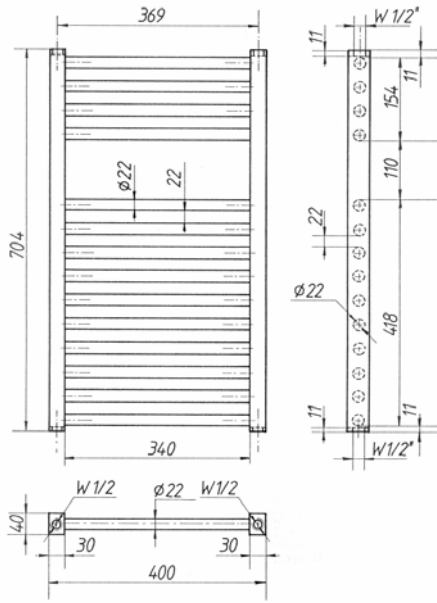
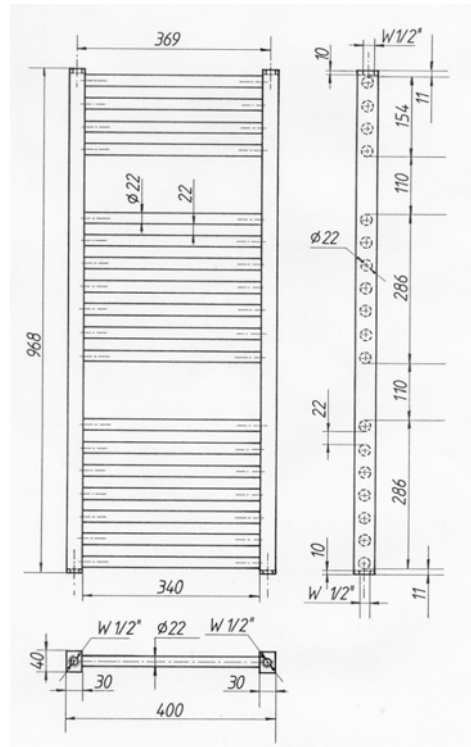


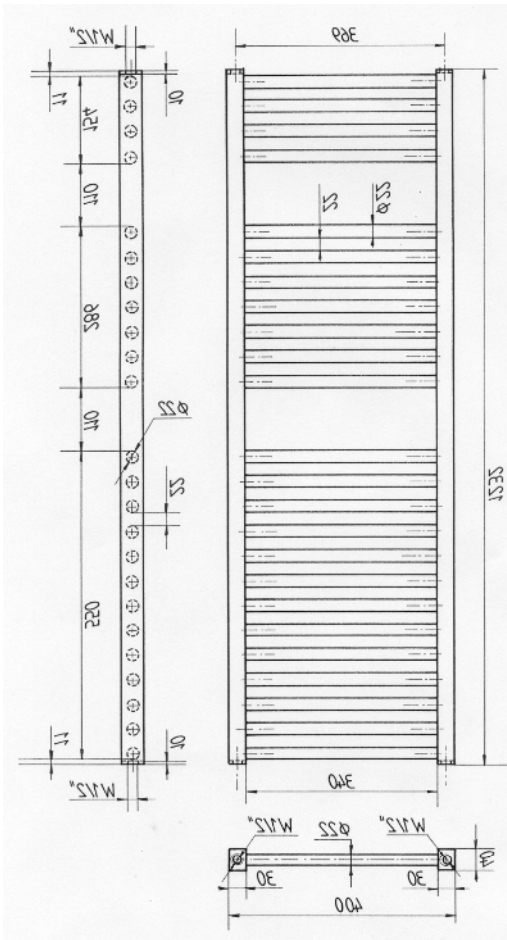
HBF CYDUSH E 400/700



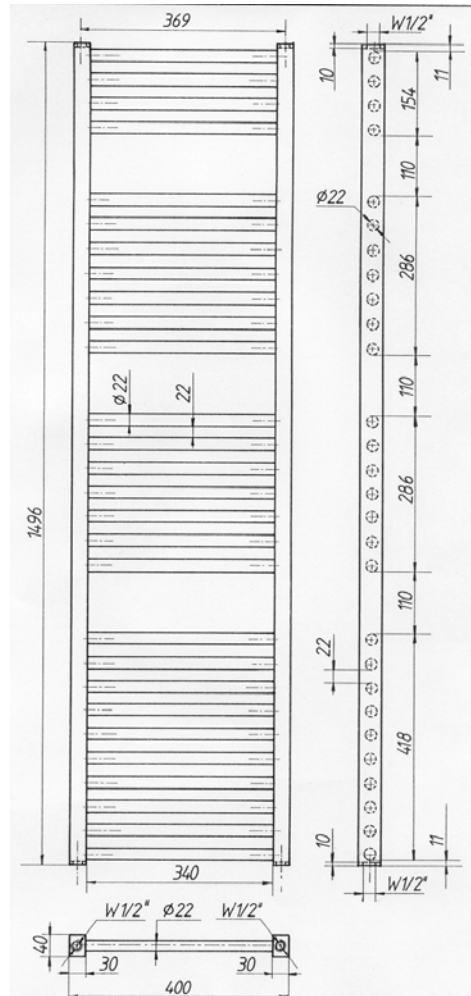
HBF CYDUSH E 400/1000



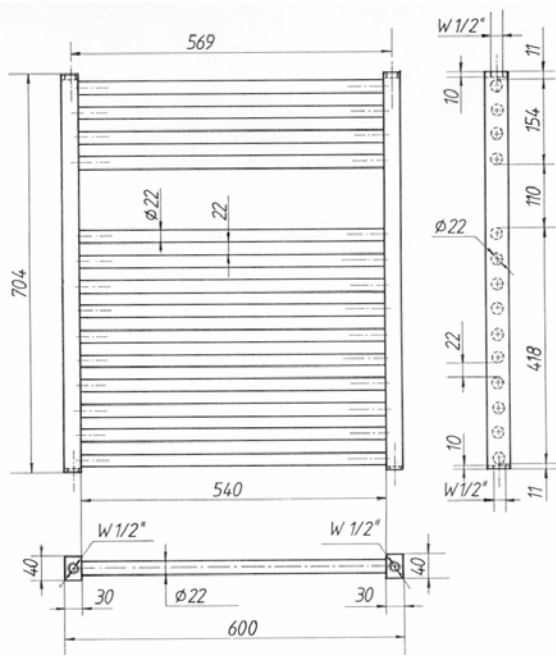
HBF CYDUSH E 400/1500



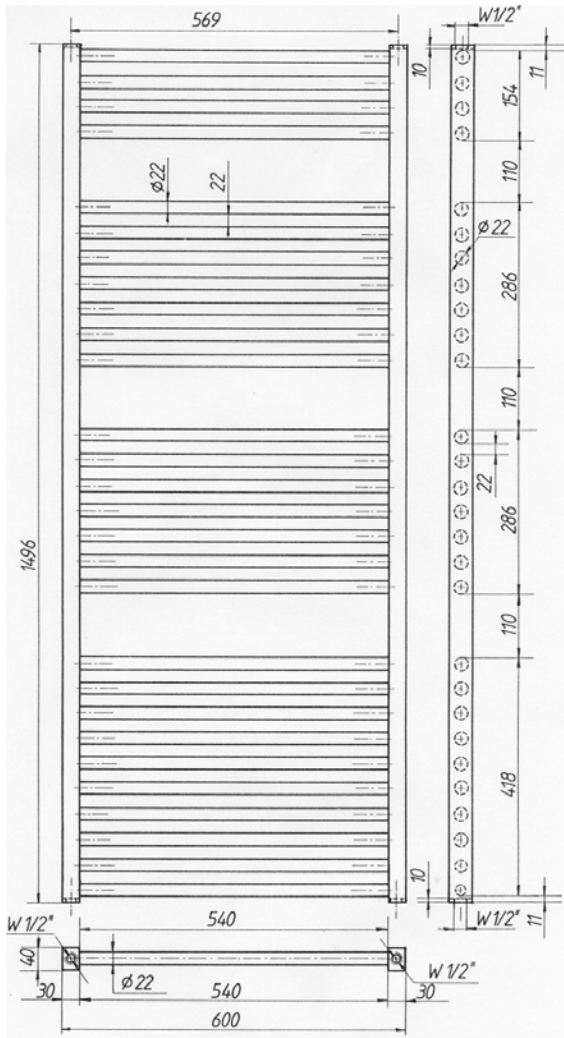
HBF CYDUSH E 400/1250



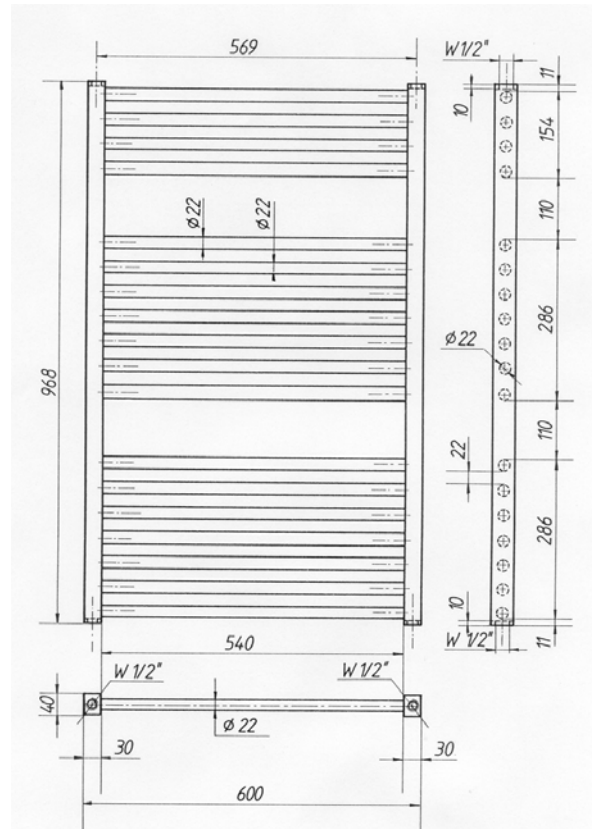
HBF CYDUSH E 600/700



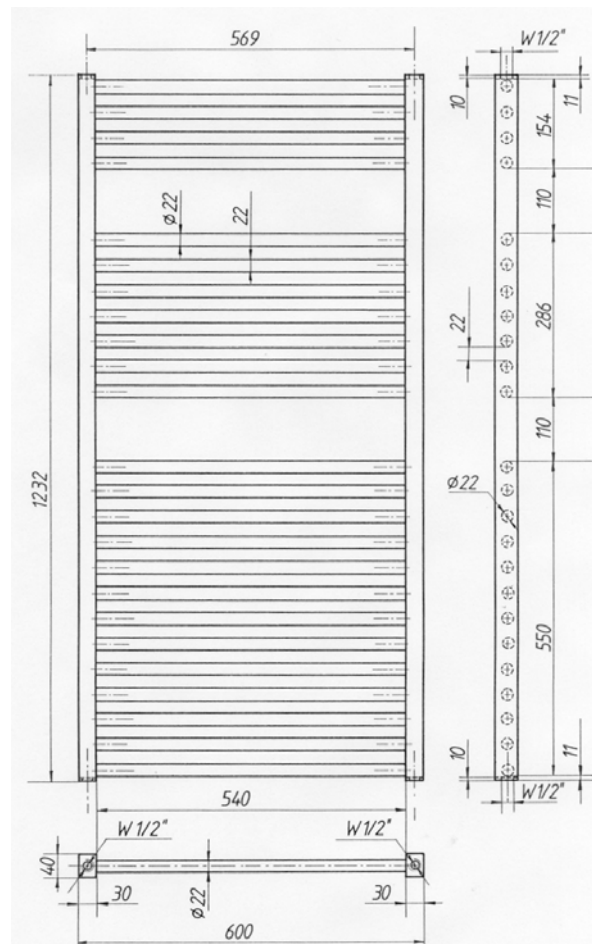
HBF CYDUSH E 600/1500



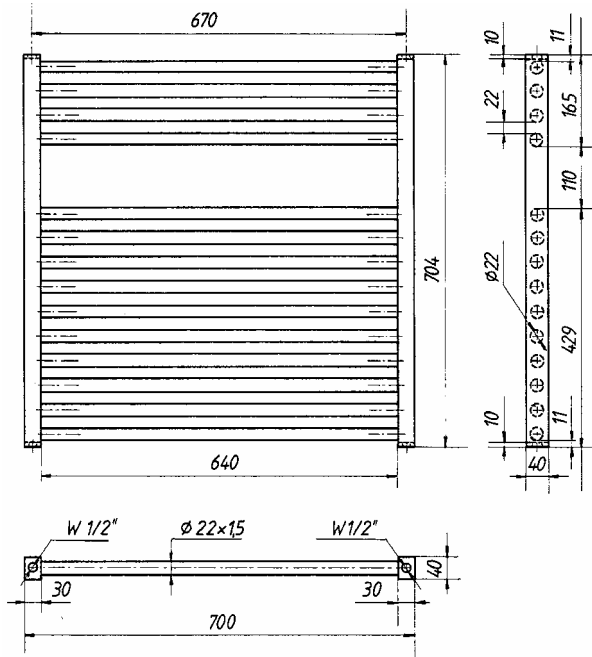
HBF CYDUSH E 600/1000



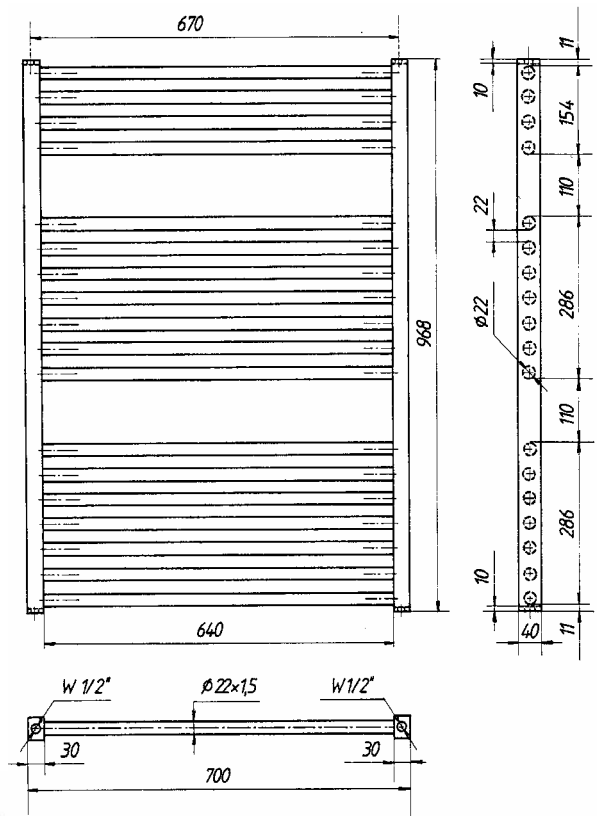
HBF CYDUSH E 600/1250



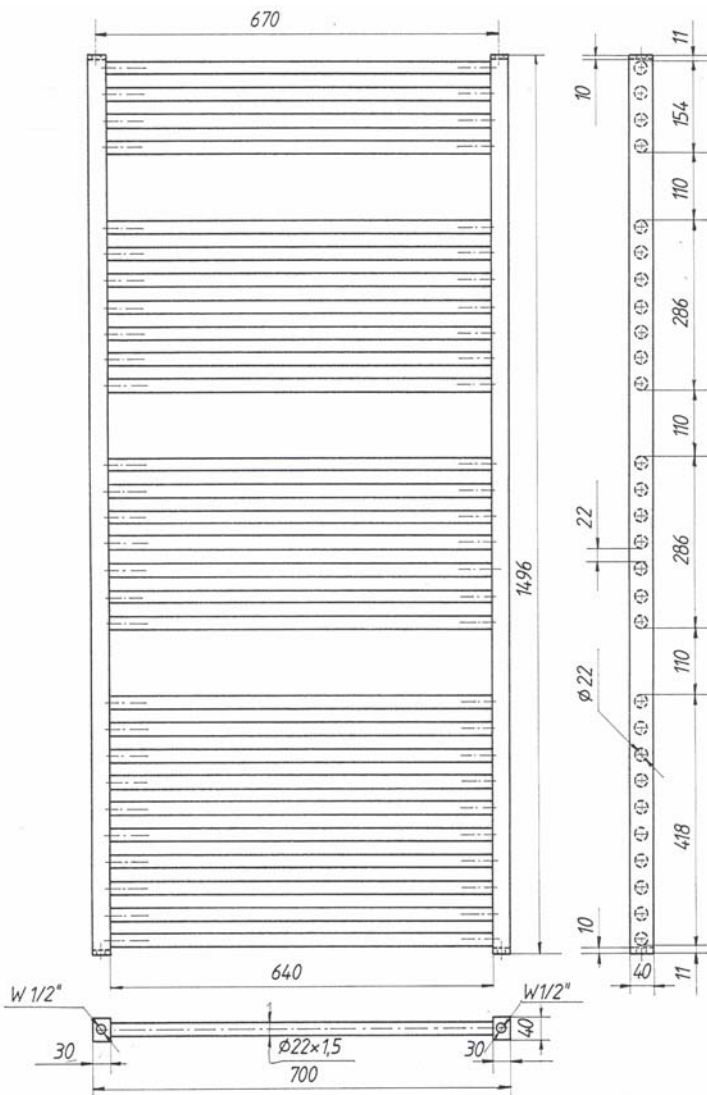
HBF CYDUSH E 700/700



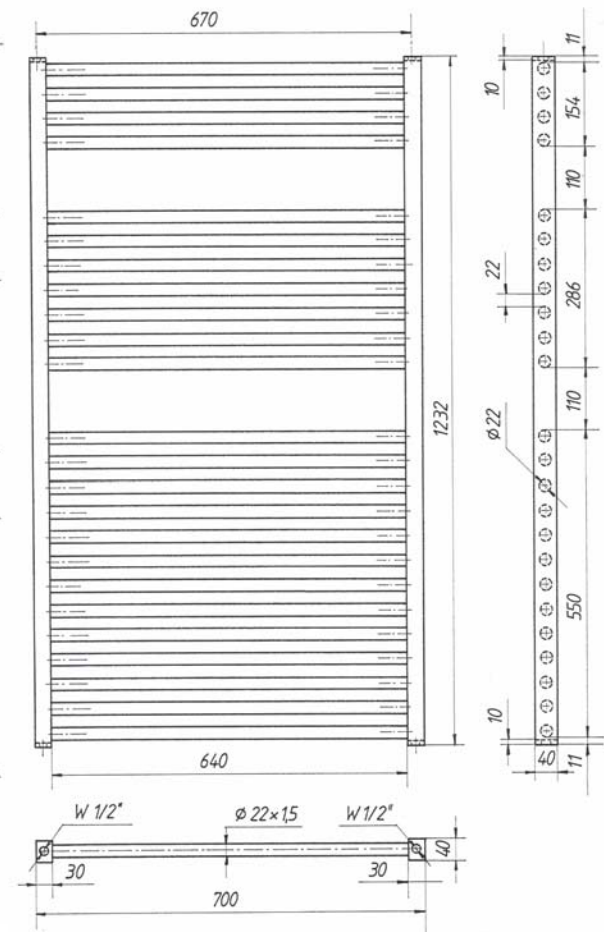
HBF CYDUSH E 700/1000



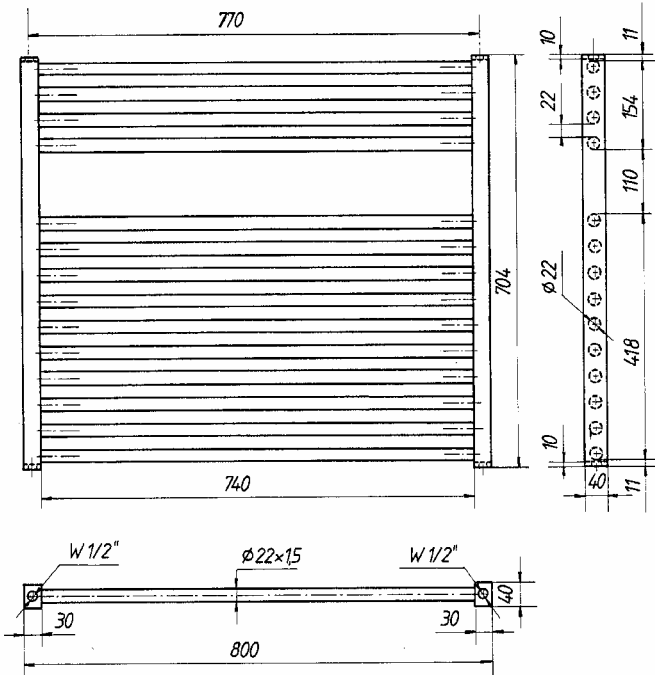
HBF CYDUSH E 700/1500



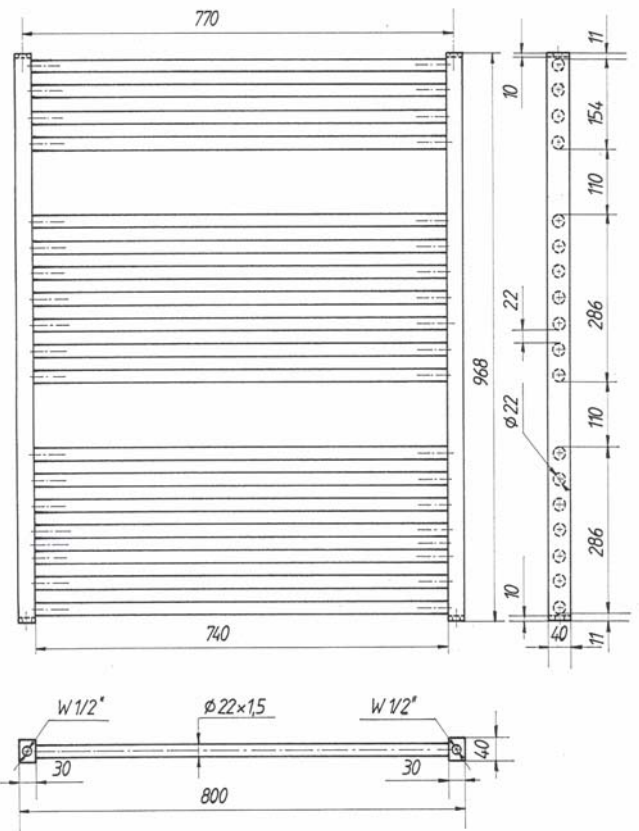
HBF CYDUSH E 700/1250



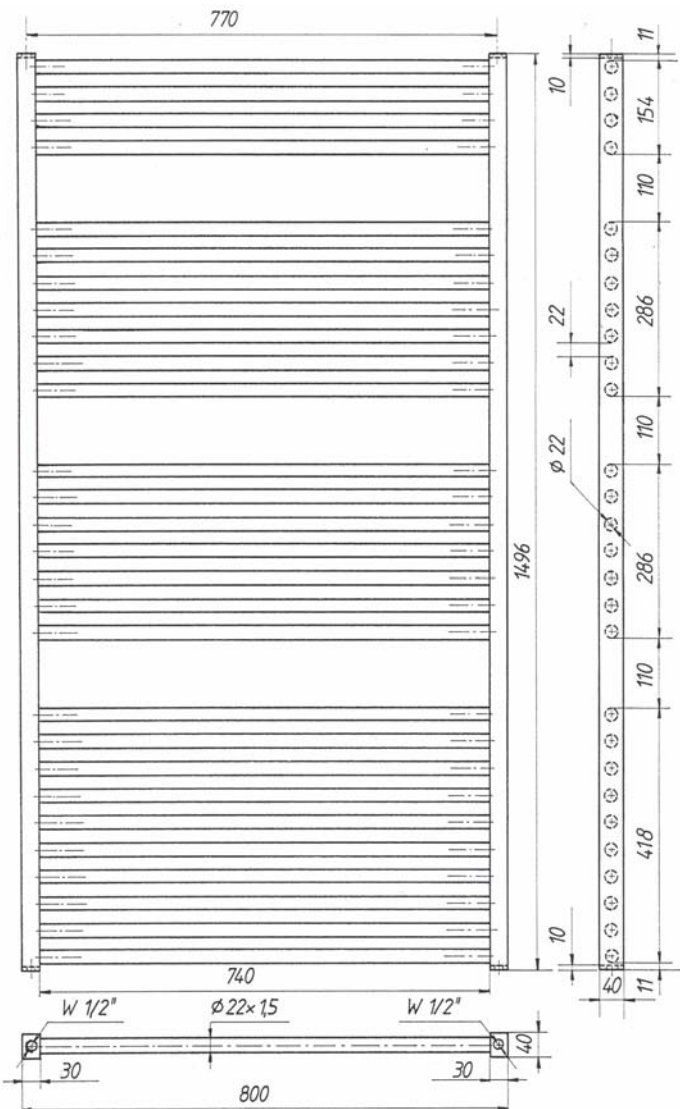
HBF CYDUSH E 800/700



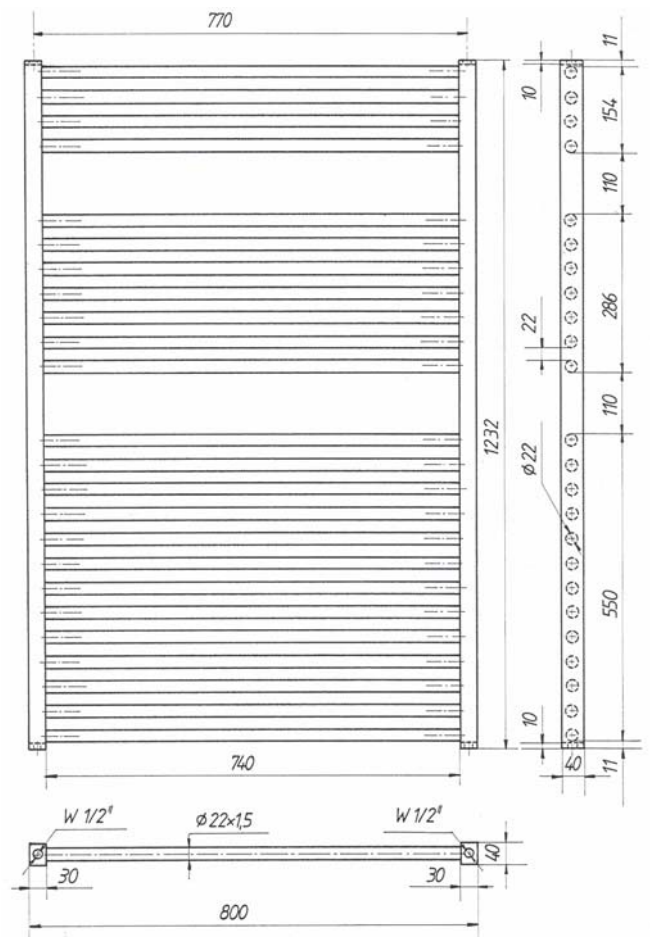
HBF CYDUSH E 800/1000



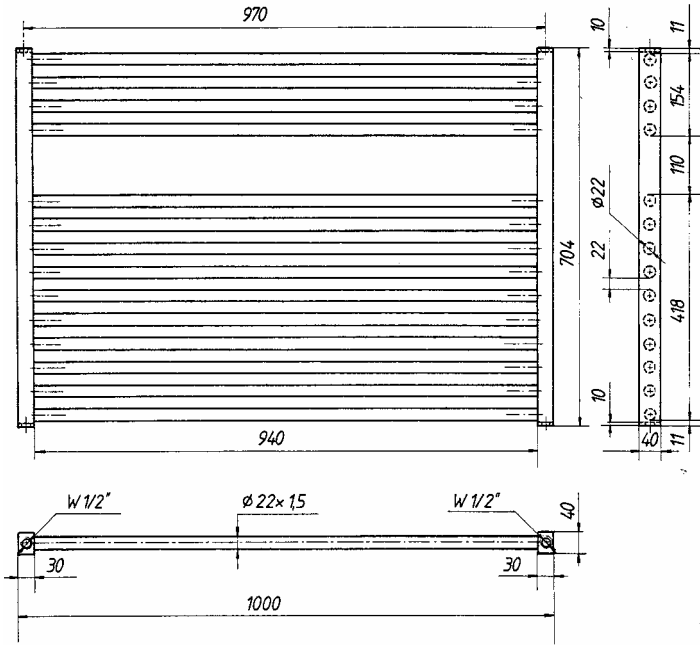
HBF CYDUSH E 800/1500



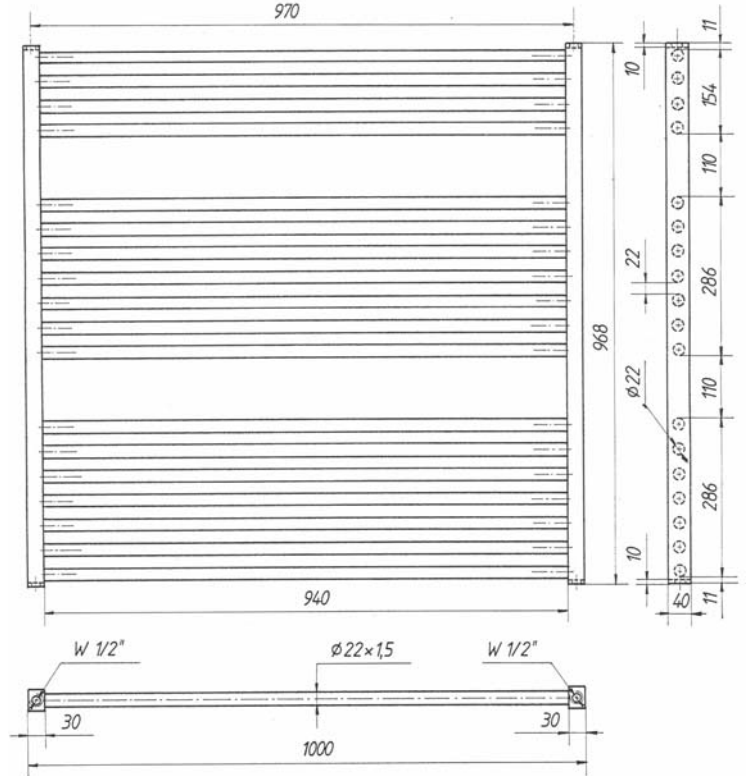
HBF CYDUSH E 800/1250



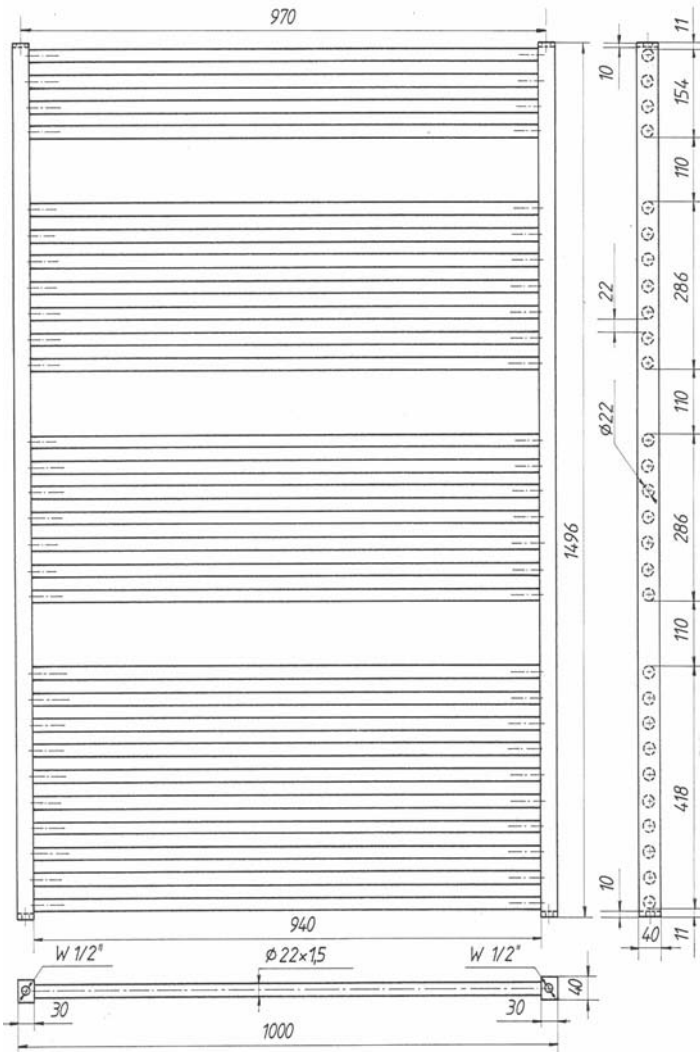
HBF CYDUSH E 1000/700



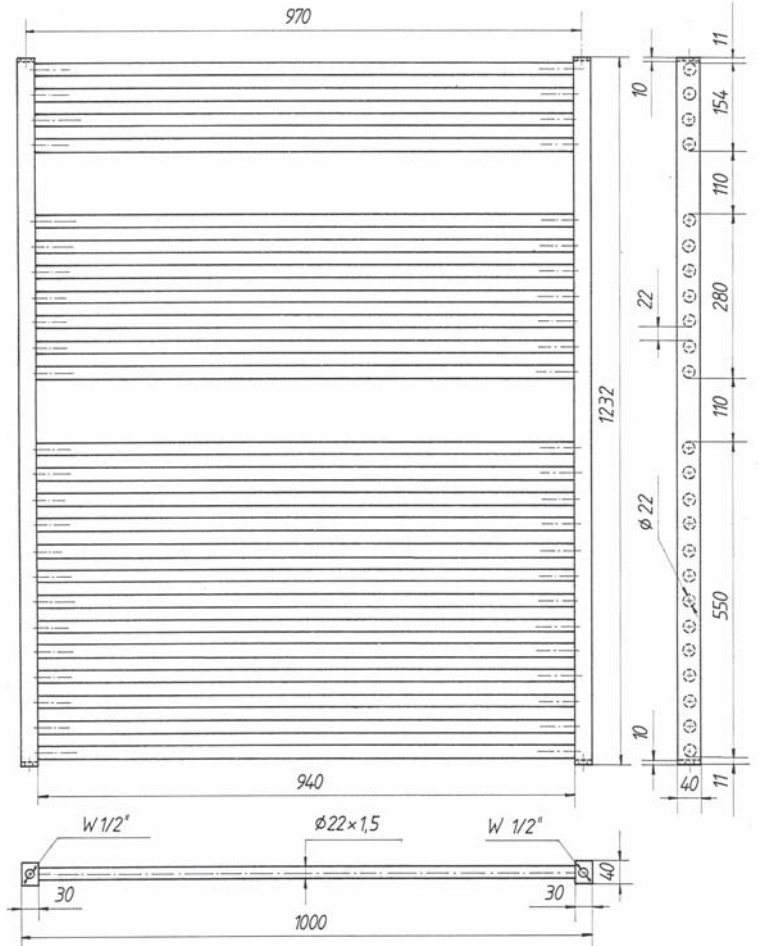
HBF CYDUSH E 1000/1000



HBF CYDUSH E 1000/1500



HBF CYDUSH E 1000/1250



HBF CYDUSH radiátorok szerelési vázlatja, távolsága a faltól.

HBF CYDUSH E (400, 500, 600, 700, 800, 1000) $a=66\text{mm}$

HBF CYDUSH I (500) $a=53\text{mm}$

HBF CYDUSH I (600) $a=49\text{mm}$

HBF CYDUSH I (700) $a=47\text{mm}$

HBF CYDUSH I (800) $a=45\text{mm}$

HBF CYDUSH I (1000) $a=42\text{mm}$

