

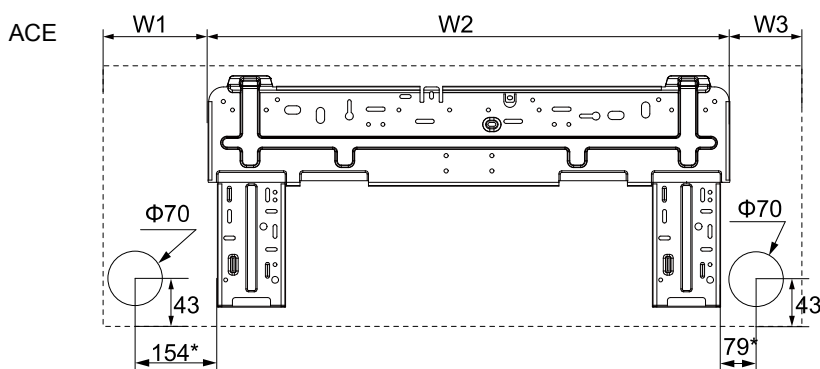
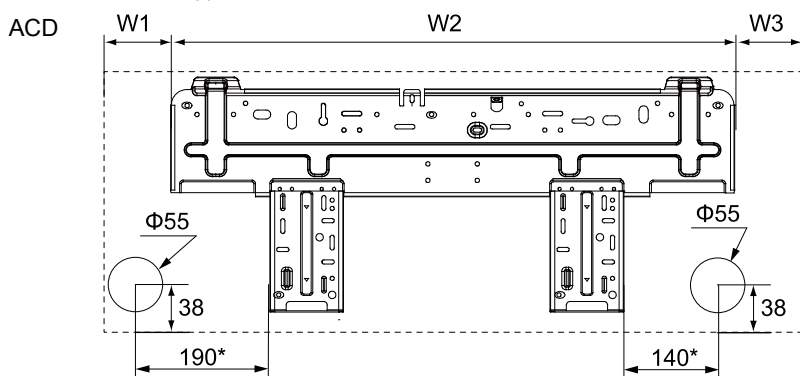
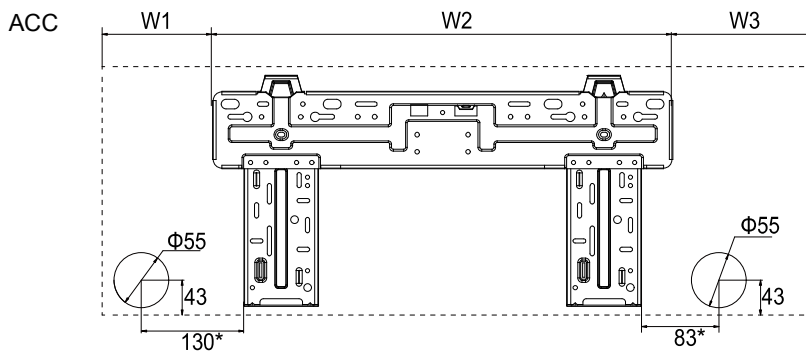
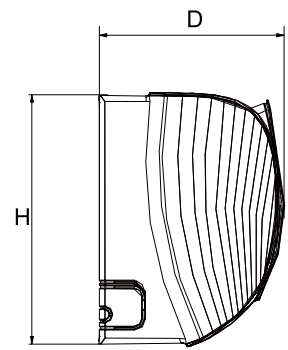
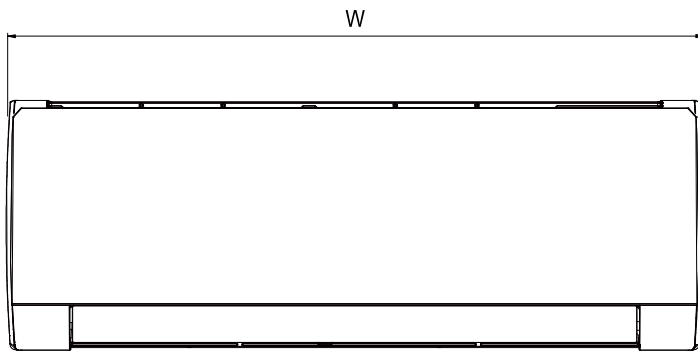
Model			GWH24ACE-K6DNA1I	GWH24ACE-K6DNA1I
Product Code			CB497016100 CB497016106 CB497016105	CB497016101 CB497016102 CB497016103 <u>CB497016104</u>
Power Supply	Rated Voltage	V~	220-240	220-240
	Rated Frequency	Hz	50	50
	Phases		1	1
Power Supply Mode			Outdoor	Outdoor
Cooling Capacity	W		7100	7100
Heating Capacity	W		7800	7800
Cooling Power Input	W		2030	2030
Heating Power Input	W		2000	2000
Cooling Current Input	A		9	9
Heating Current Input	A		9.3	9.3
Rated Input	W		3000	3000
Rated Cooling Current	A		13	13
Rated Heating Current	A		13.5	13.5
Air Flow Volume	m <sup>3</sup> /h		1250/1100/1000/950/900/850/800/600	1250/1100/1000/950/900/850/800/600
Dehumidifying Volume	L/h		2.4	2.4
EER	W/W		3.5	3.5
COP	W/W		3.9	3.9
SEER	W/W		7	7
SCOP(Average/WarmerColder)	W/W		4.2/5.4/3.4	4.2/5.4/3.4
Application Area	m <sup>2</sup>		27-42	27-42
Indoor Unit	Model		GWH24ACE-K6DNA1I/I	GWH24ACE-K6DNA1I/I
	Product Code		CB497N16100 CB497N16102 CB497N16104	CB497N16100 CB497N16102 CB497N16103 CB497N16104
	Fan Type		Cross-flow	Cross-flow
	Fan Diameter Length(DXL)	mm		108×830
	Cooling Speed	r/min		1250/1100/1000/950/900/850/800/600
	Heating Speed	r/min		1400/1250/1100/1050/1000/900/850
	Fan Motor Power Output	W		60
	Fan Motor RLA	A		0.24
	Fan Motor Capacitor	μF		/
	Evaporator Form			Aluminum Fin-copper Tube
	Evaporator Pipe Diameter	mm		Φ7
	Evaporator Row-fin Gap	mm		2-1.4
	Evaporator Coil Length (LXDXW)	mm		845×25.4×342.9
	Swing Motor Model			MP24HF/MP35CP
	Swing Motor Power Output	W		1.5/2.5
	Fuse Current	A		3.15
	Sound Pressure Level	dB (A)		Cooling:48/44/41/40/38/36/33/27 Heating:50/47/43/41/40/36/35
	Sound Power Level	dB (A)		Cooling:64/59/56/55/53/51/48/42 Heating:64/62/58/56/55/51/50
	Dimension (WXHXD)	mm		1122X329X247
	Dimension of Carton Box (LXWXH)	mm		1172X398X322
Dimension of Package (LXWXH)	mm		1177X406X332	
Net Weight	kg		16.5	
Gross Weight	kg		19.5	

Outdoor Unit	Outdoor Unit Model		GWH24AFE-K6DNA2I/O	GWH24AFE-K6DNA2I/O
	Outdoor Unit Product Code		CB363W04100	CB363W04101
	Compressor Manufacturer		ZHUHAI LANDA COMPRESSOR CO.,LTD.	ZHUHAI LANDA COMPRESSOR CO.,LTD.
	Compressor Model		QXFS-M180zX170	QXFS-M180zX170
	Compressor Oil		FW68DA or equivalent	FW68DA or equivalent
	Compressor Type		Twin Rotary	Twin Rotary
	Compressor LRA.	A	35	35
	Compressor RLA	A	3.5	3.5
	Compressor Power Input	W	1610	1610
	Compressor Overload Protector		KSD115°C HPC 115/95U1	KSD115°C HPC 115/95U1
	Throttling Method		Electron expansion valve	Electron expansion valve
	Set Temperature Range	°C	16~30	16~30
	Cooling Operation Ambient Temperature Range	°C	-15~50	-15~50
	Heating Operation Ambient Temperature Range	°C	-15~30	-25~30
	Condenser Form		Aluminum Fin-copper Tube	Aluminum Fin-copper Tube
	Condenser Pipe Diameter	mm	Φ7	Φ7
	Condenser Rows-fin Gap	mm	2-1.4	2-1.4
	Condenser Coil Length (LXDXW)	mm	839×38.1×616	839×38.1×616
	Fan Motor Speed	rpm	800	800
	Fan Motor Power Output	W	60	60
	Fan Motor RLA	A	0.65	0.25
	Fan Motor Capacitor	μF	/	/
	Outdoor Unit Air Flow Volume	m <sup>3</sup> /h	3600	3600
	Fan Type		Axial-flow	Axial-flow
	Fan Diameter	mm	520	520
	Defrosting Method		Automatic Defrosting	Automatic Defrosting
	Climate Type		T1	T1
	Isolation		I	I
	Moisture Protection		IPX4	IPX4
	Permissible Excessive Operating Pressure for the Discharge Side	MPa	4.3	4.3
	Permissible Excessive Operating Pressure for the Suction Side	MPa	2.5	2.5
	Sound Pressure Level (H/M/L)	dB (A)	59	59
	Sound Power Level (H/M/L)	dB (A)	70	70
Dimension(WXHXD)	mm	958X660X402	958X660X402	
Dimension of Carton Box (LXWXH)	mm	1029X453X715	1029X453X715	
Dimension of Package(LXWXH)	mm	1032X456X737	1032X456X737	
Net Weight	kg	41.5	41.5	
Gross Weight	kg	46	46	
Refrigerant		R32	R32	
Refrigerant Charge	kg	1.5	1.5	
Connection Pipe	Connection Pipe Length	m	5	5
	Connection Pipe Gas Additional Charge	g/m	40	40
	Outer Diameter Liquid Pipe		1/4"	1/4"
	Outer Diameter Gas Pipe		5/8"	5/8"
	Max Distance Height	m	10	10
	Max Distance Length	m	25	25
	Note: The connection pipe applies metric diameter.			

The above data is subject to change without notice. Please refer to the nameplate of the unit.

# 3. Outline Dimension Diagram

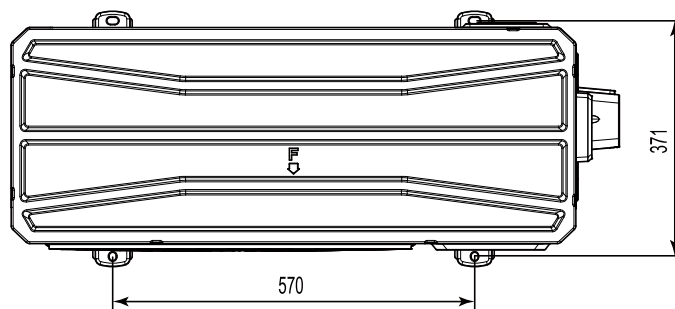
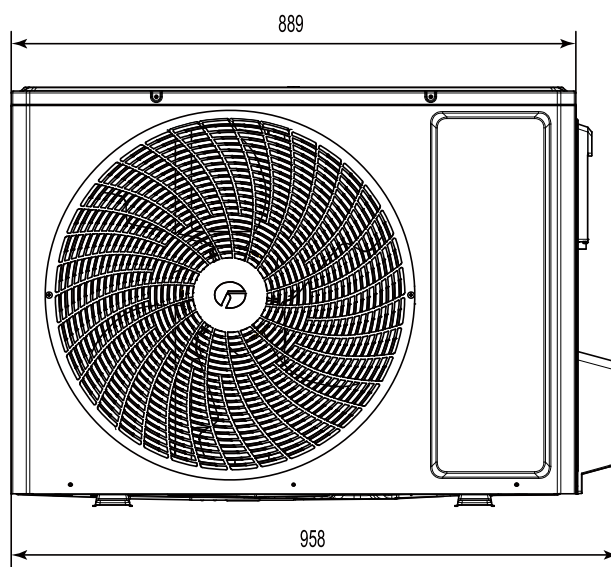
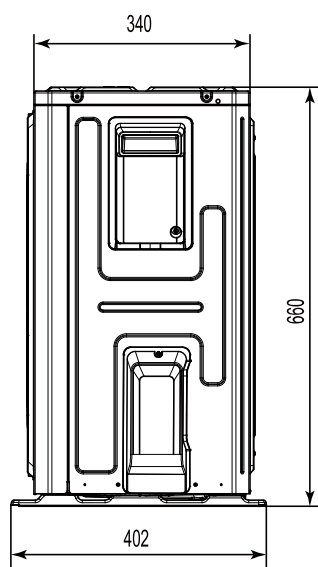
## 3.1 Indoor Unit



Model	W	H	D	W1	W2	W3
ACC	889	294	212	146	542	201
ACD	1013	307	221	125.5	685	202.5
ACE	1122	329	247	207	685	230

\* Recommended distance

GWH24AFE-K6DNA2I/O



Unit:mm