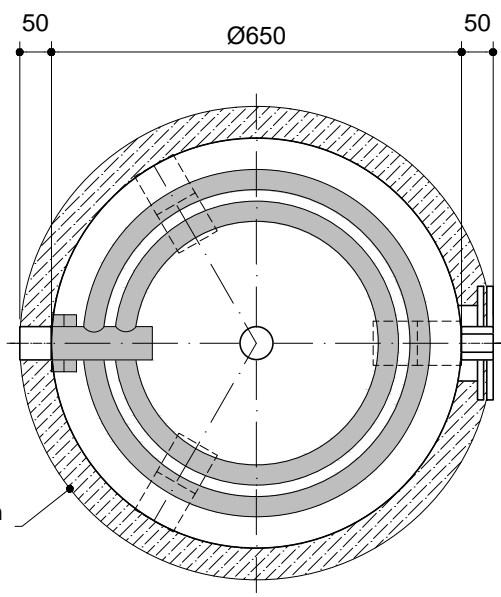
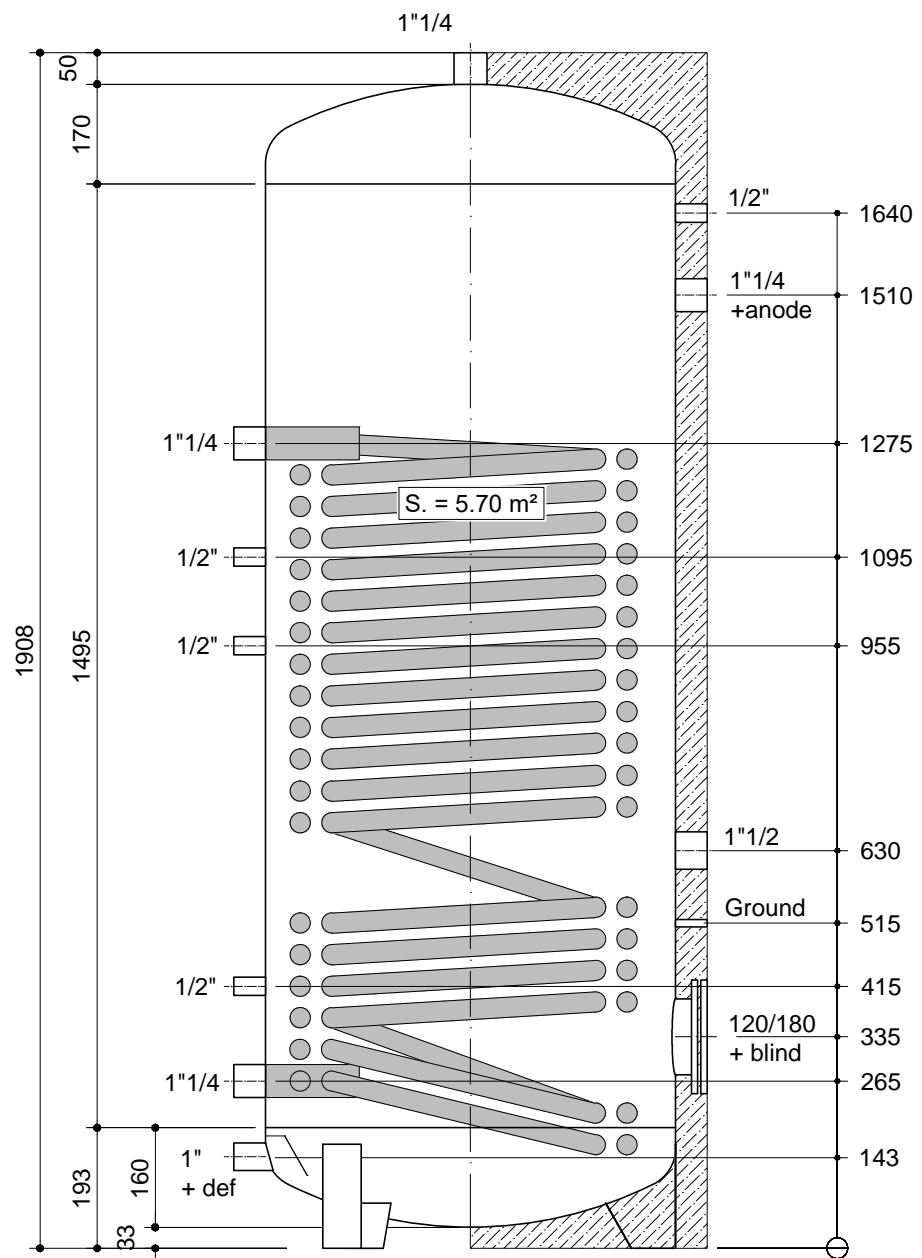


INSULATION: HARD PU 50 mm + PVC RAL 9006



code: **WP1V00600R**

N° __ Pcs.

MATERIAL: S235JR
EXTERNAL TREAT.: Painted
INTERNAL TREAT.: Enamelled
WORKING PRESSURE: 8 bar

MATERIAL: S235JR			WEIGHT: ≈ ---- Kg		WORKING PRESSURE / TEST: 8 bar / 12 bar		DESIGNED BY: Giovannini		APPROVED: Ing. Buccigrossi		DATE: -----		
EXTERNAL TREATMENT Painted			INTERNAL TREATMENT: Enamelled			V F		CUSTOMER:				ORDER N°: -----	
www.tmlgroup.it Tel 0861-927003 / Fax 0861-927024							DESCRIPTION : __ x WP1V00600R					DRAWING CODE: WP1V00600R	

The TML reserves the right to make constructional improvements of the product or changes without notice. This drawing cannot be copied, reproduced or shown to third parties without our approval.