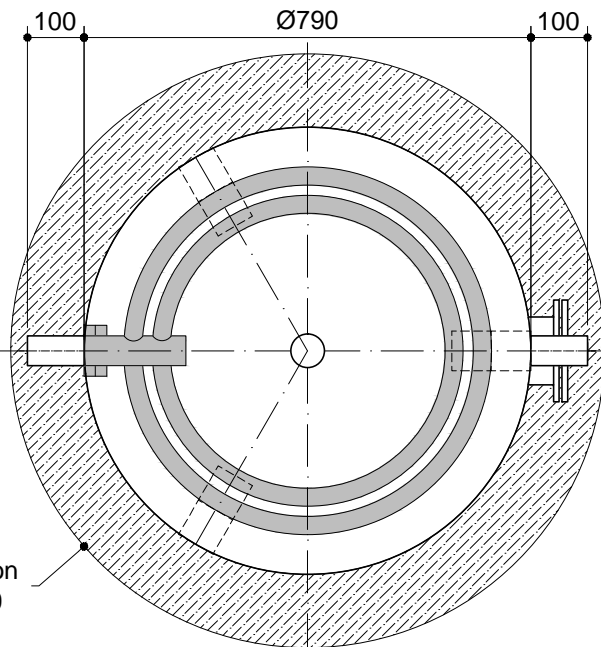
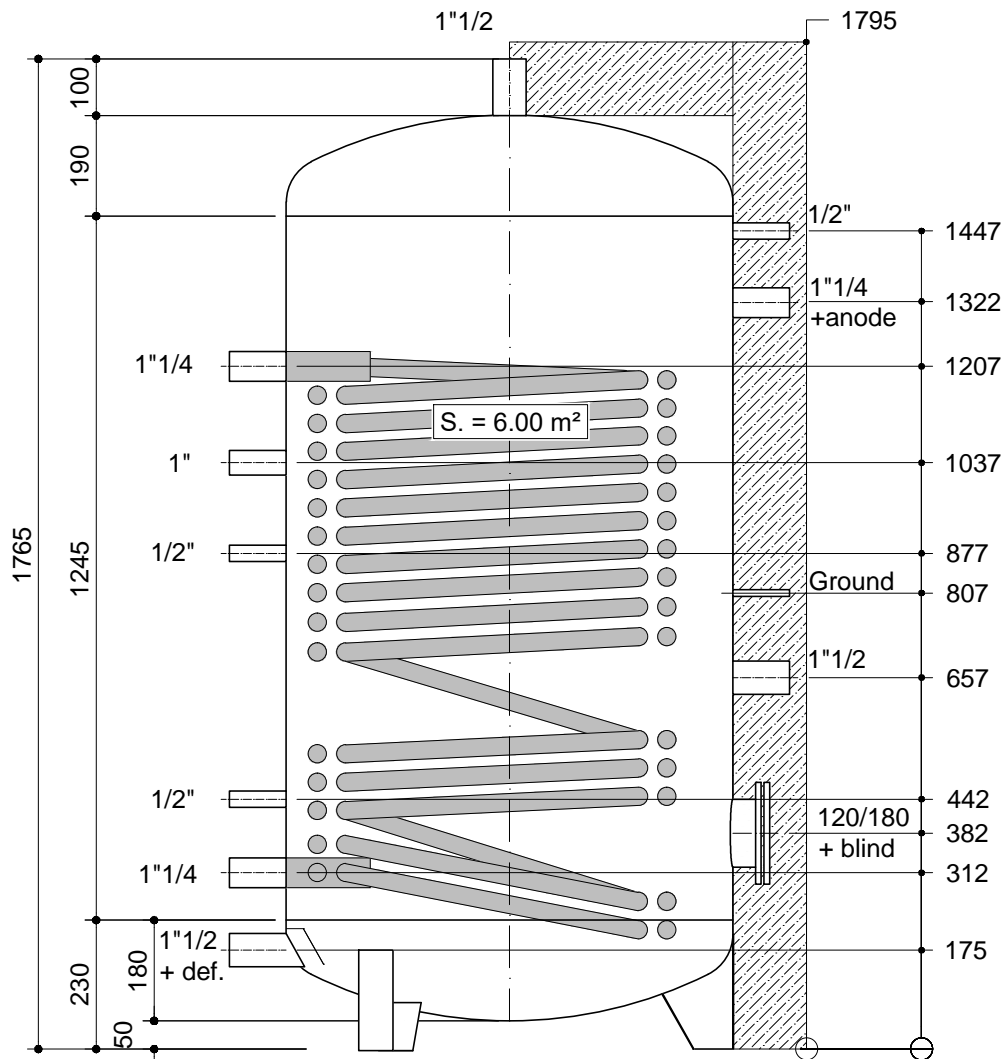


INSULATION: POLYESTER 130 mm + PVC RAL 9006



code: **WP1V00800F**

N° __ Pcs.

MATERIAL: S235JR
EXTERNAL TREAT.: Painted
INTERNAL TREAT.: Enamelled
WORKING PRESSURE: 8 bar

MATERIAL: S235JR		WEIGHT: ≈ ---- Kg		WORKING PRESSURE / TEST: 8 bar / 12 bar		DESIGNED BY: Giovannini		APPROVED: Ing. Buccigrossi		DATE:	
EXTERNAL TREATMENT: Painted		INTERNAL TREATMENT: Enamelled		V F		CUSTOMER:		ORDER N°: ----		DRAWING CODE:	
						DESCRIPTION : __ x WP1V00800F ---- ---- ----					
www.tmlgroup.it Tel 0861-927003 / Fax 0861-927024											

The TML reserves the right to make constructional improvements of the product or changes without notice. This drawing cannot be copied, reproduced or shown to third parties without our approval.